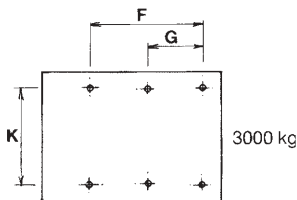
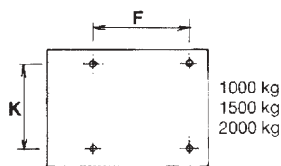
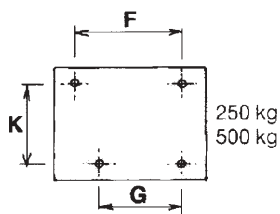


Advantages :

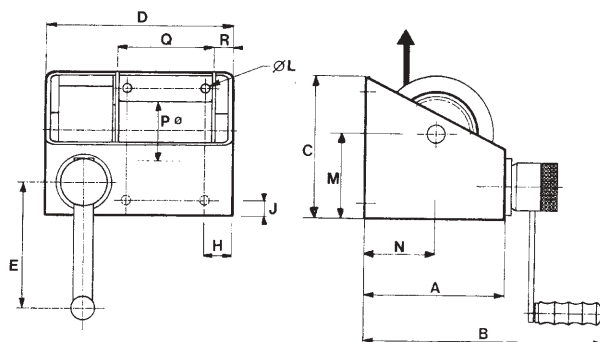
- High quality gears which have undergone all breaking and endurance tests
- Hubs machined to create a reserve of grease
- Automatic pawl brake with stainless steel spring
- Rigid tubular chassis with mechanical parts and drum protected by cataphoresis
- Drum can be disengaged by easy access to lever with safety device preventing disengaging when loaded
- Users and gears protected by a protective cover that can be removed for maintenance
- Simple and quick-operation wire rope lug takes any diameter of wire rope
- Variable length control handle giving the user either maximum operating force or rapid operation for small loads or rewinding operations
- Handle adjustment button for maximum ease of use. It can be used to adjust the handle or to remove it to lock operation of the winch
- The TR winch can be fixed in many positions, on a horizontal or vertical fixing plane on four fixing points (depending on the model)

Features and dimensions:



Fixing planes
with 4 or 6 points
spread wide apart
the fixing provides
a stable anchorage.

*The second speed
must only be used
when there is no load.*



The winches can be supplied with wire ropes and accessories

Capacities kg	A	B	C	D	E	F	G	H	J	K	ØL	M	N	ØP	Q	R	S	T	
250*	150	330	150	200	240	137	100	25	15	118	40	11	89	75	60	100	24	41	34
500	180	360	180	260	240	182	130	32	18	142	40	13	109	90	70	145	30	51	37
1 000	300	490	300	300	340	167	—	32	21	250	40	17	180	146	101	176	30	63	50
1 500	300	490	300	300	340	167	—	32	21	250	40	17	180	146	101	176	30	63 128	50
2 000	345	540	345	405	405	260	—	40	25	295	40	21	222	168	130	275	40	58 123	58
3 000	525	700	460	510	510	390	195	70	40	380	60	25	325	173	168	300	55	70 135	70

WLL kg	Number of speeds	Wire rope			Effort on handle kg	lift per turn of handle (1 ^{re} couche)	Weight kg
		Ø mm	Maximum capacity	Numb. of layers			
*250	1	5	20	4	11	17	9,5
500	1	6,8	25	4	12	11	15
1 000	1	9	35	4	14	8	38
1 500	2	11,5	20	3	12	5	41,5
2 000	2	13	30	3	15	5,5	70
3 000	2	15	40	3	12	2,5	150

* The 250 kg winch does not have a drum which can be disengaged